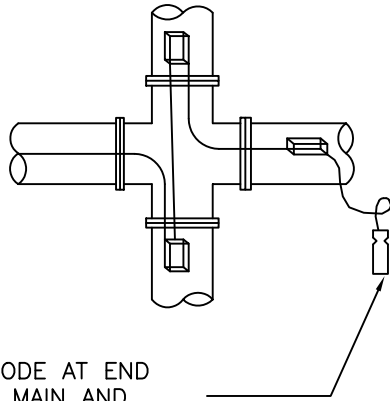
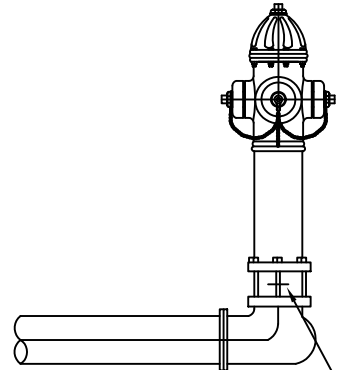


STANDARD DESIGN TRACER DETAIL FOR P.V.C. PIPE



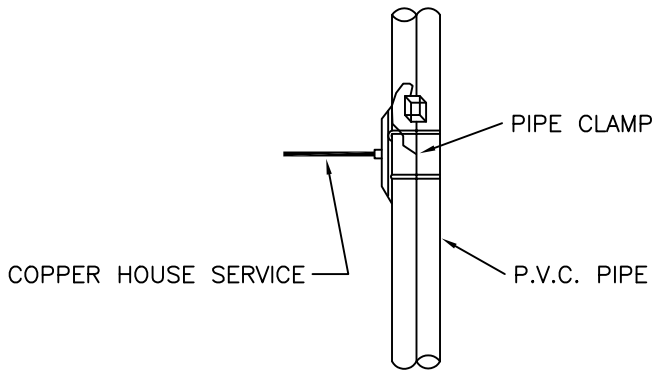
PLACE 17 LBS. ANODE AT END OF PLASTIC WATER MAIN AND EVERY 2000 FT OR AS REQUIRED.



$\frac{1}{2}$ " PIPE CLAMP OR SIMILAR DEVICE.

INTERSECTION CROSSING

FIRE HYDRANT

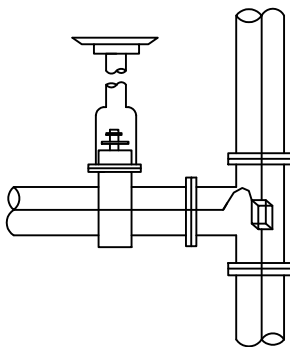


COPPER HOUSE SERVICE

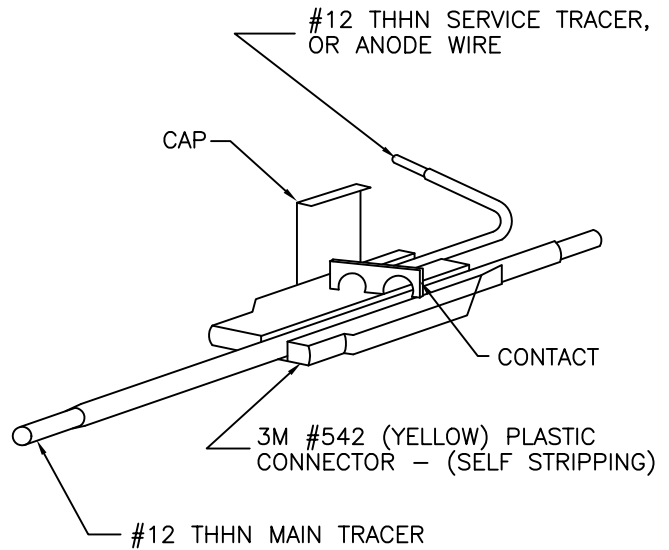
PIPE CLAMP

P.V.C. PIPE

HOUSE SERVICE



TEE



#12 THHN SERVICE TRACER, OR ANODE WIRE

CAP

CONTACT

3M #542 (YELLOW) PLASTIC CONNECTOR - (SELF STRIPPING)

#12 THHN MAIN TRACER

CITY OF DECATUR, ILLINOIS
DEPARTMENT OF ENGINEERING
& INFRASTRUCTURE

ADOPTED JANUARY 1, 2003

DIRECTOR OF ENGINEERING & INFRASTRUCTURE

ISSUED: 7-3-78

REVISIONS	
BY	DATE
RNB	1/1/03

RNB 1/1/03

STANDARD# 4050