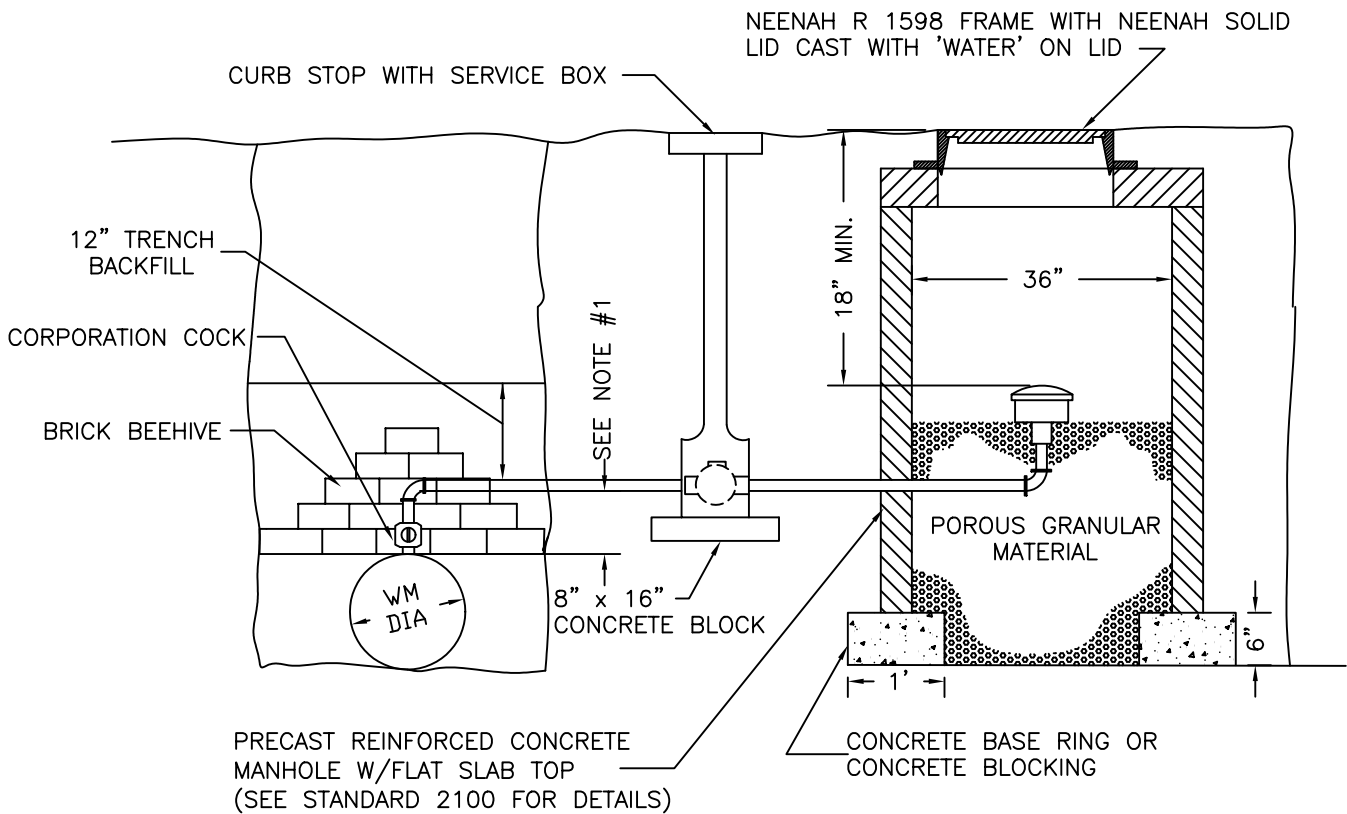
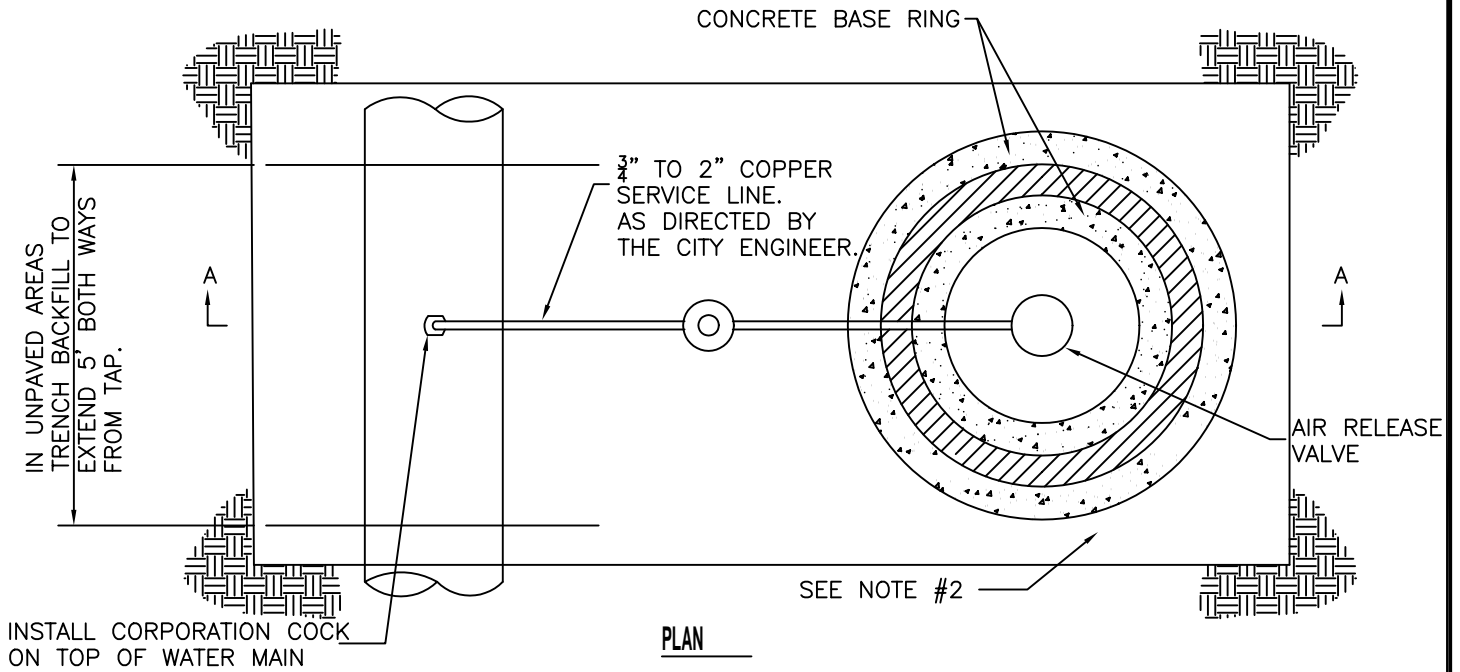


STANDARD DESIGN AIR RELEASE VALVE VAULT



NOTES:

1. COPPER SERVICE LINE NOT TO GO BELOW TOP OF WATER MAIN.
2. AREA AROUND VAULT TO BE TRENCH BACKFILL.

CITY OF DECATUR, ILLINOIS
DEPARTMENT OF ENGINEERING
& INFRASTRUCTURE

ISSUED: 1/1/03	
REVISIONS	
BY	DATE
RNB	1/1/03

ADOPTED JANUARY 1, 2003

[Signature]
DIRECTOR OF ENGINEERING & INFRASTRUCTURE

STANDARD #4030