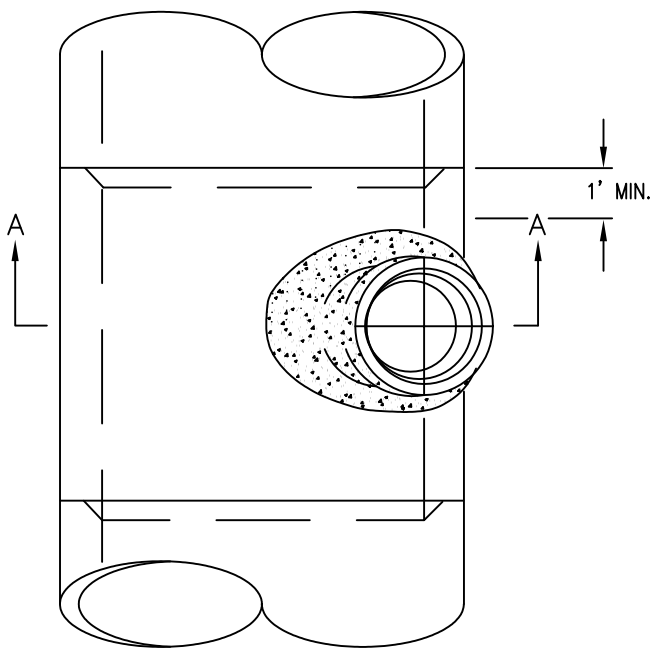
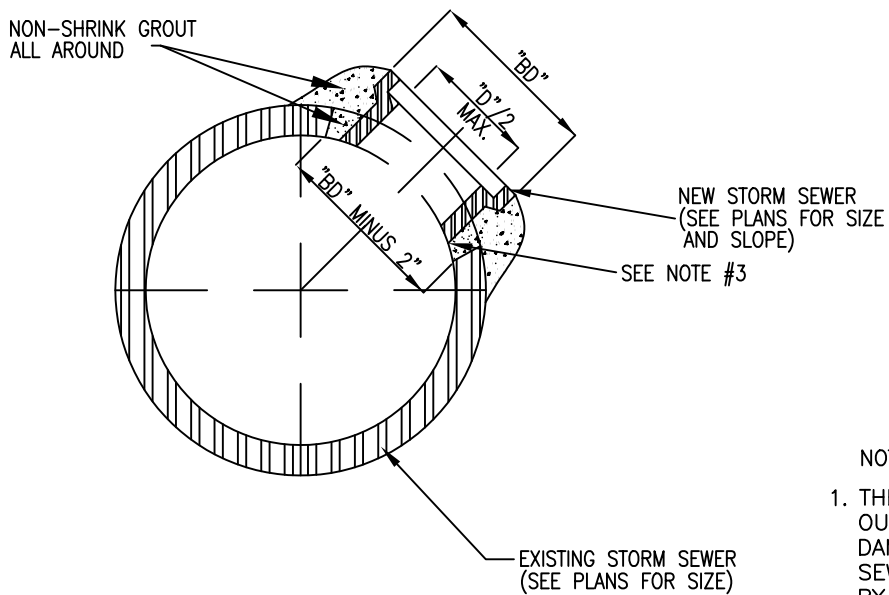


STANDARD DESIGN STORM SEWER TAP



PLAN



SECTION A-A

NOTES:

1. THE EXISTING SEWER SHALL BE BROKEN OUT BY A METHOD WHICH WILL NOT DAMAGE THE REMAINDER OF THE SEWER. ANY DAMAGE WILL BE REPAIRED BY THE CONTRACTOR AT HIS OWN COST.
2. TAP MUST BE MADE ABOVE THE SPRINGLINE UNLESS FALL IS A PROBLEM AND APPROVED BY THE CITY ENGINEER.
3. THE TAP SHALL NOT PROTRUDE INTO THE PIPE.

CITY OF DECATUR, ILLINOIS
DEPARTMENT OF ENGINEERING
& INFRASTRUCTURE

ADOPTED JANUARY 1, 2003


DIRECTOR OF ENGINEERING & INFRASTRUCTURE

ISSUED: 1/1/03

REVISIONS
BY | DATE

KSG	10/2002

STANDARD# 3075