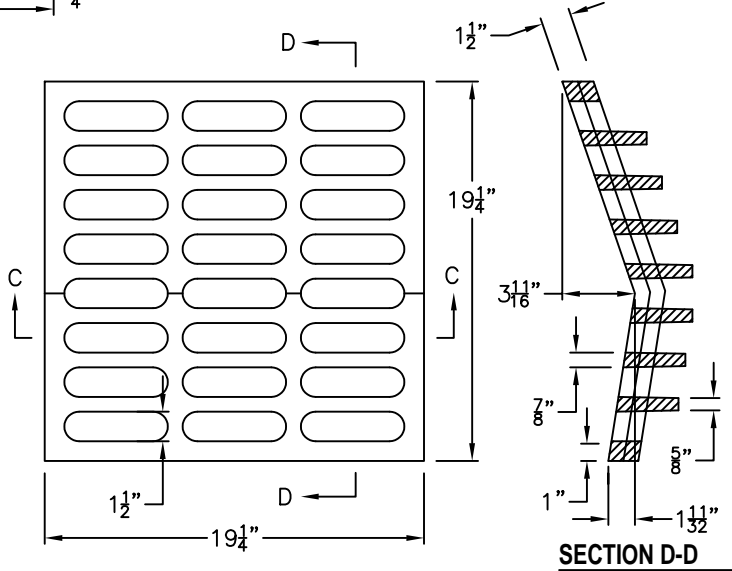
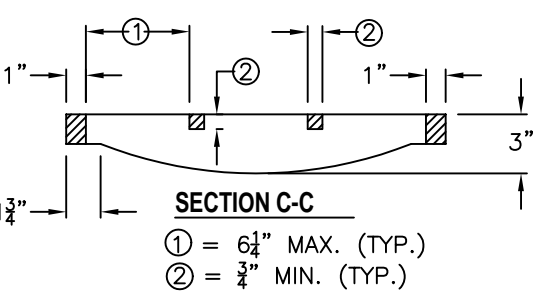
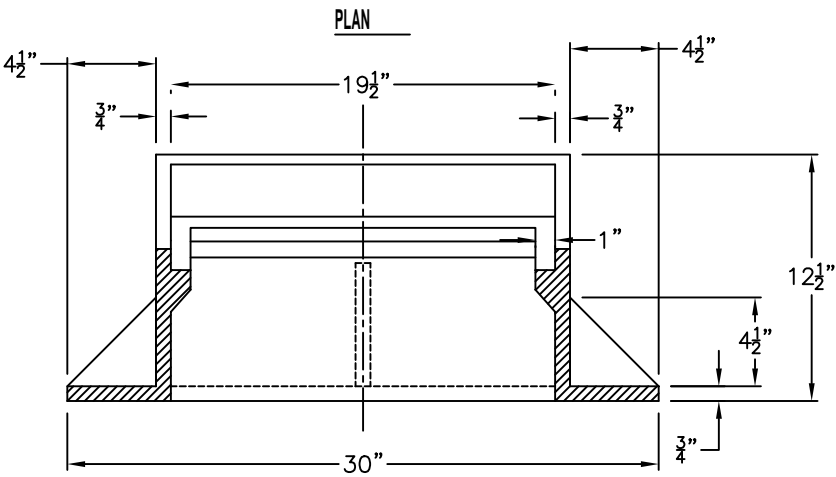
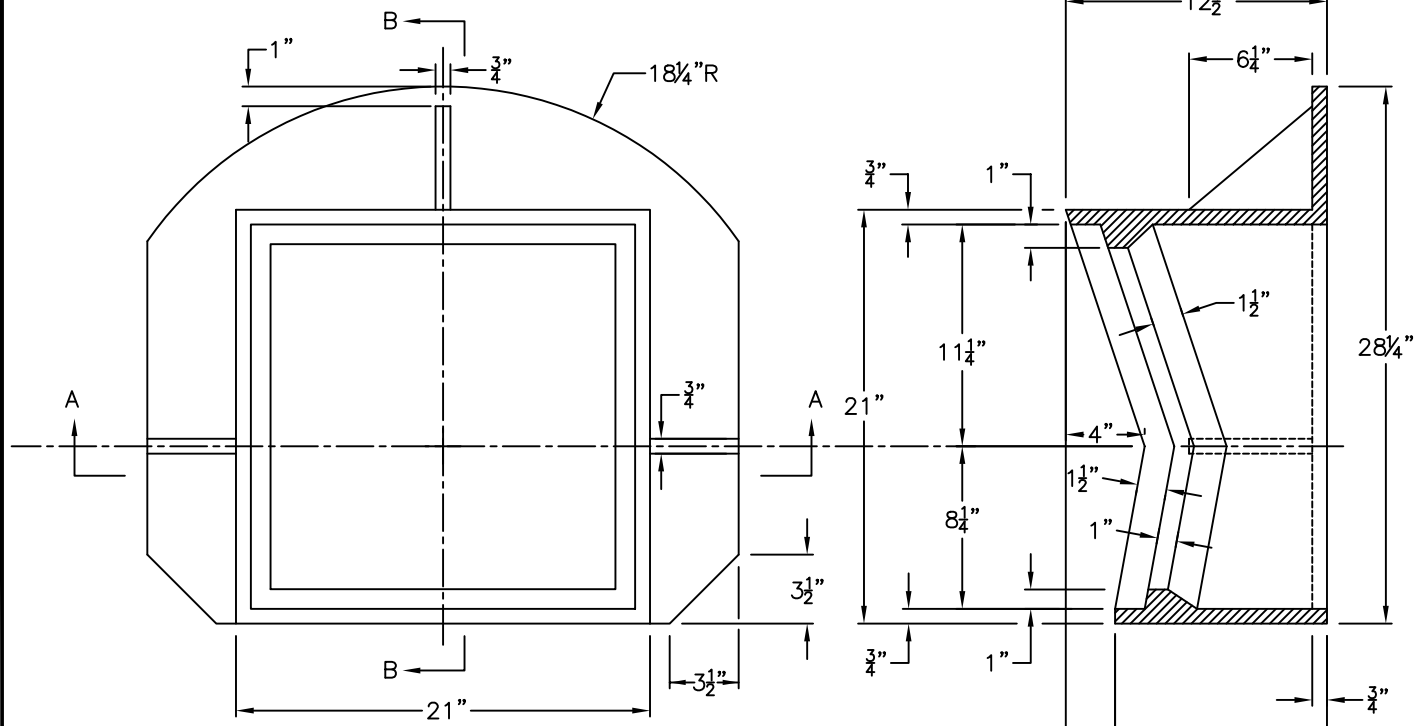


STANDARD DESIGN FRAME AND GRATE TYPE 10



CITY OF DECATUR, ILLINOIS
DEPARTMENT OF ENGINEERING
& INFRASTRUCTURE

ADOPTED JANUARY 1, 2003

[Signature]
DIRECTOR OF ENGINEERING & INFRASTRUCTURE

ISSUED: 7-3-78	
REVISIONS	BY DATE
JMM	11/5/02

STANDARD # 3048