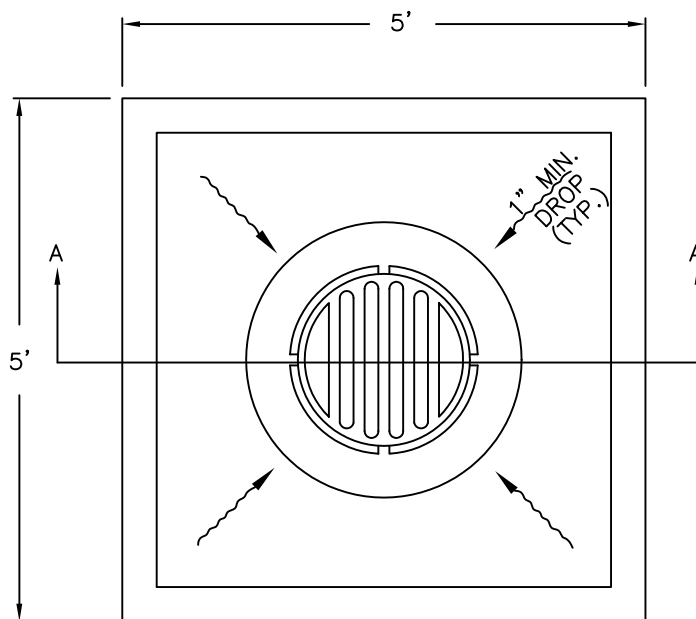
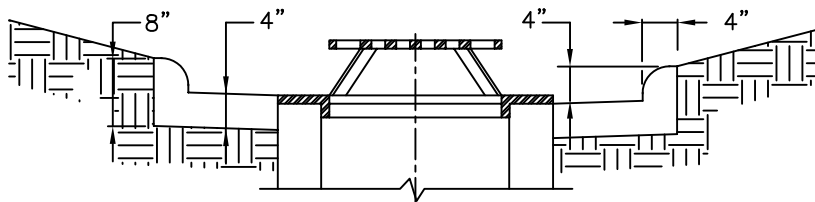


STANDARD DESIGN  
 GRATE, TYPE 8,  
 SPECIAL #1 - #2, WITH APRON



PLAN



SECTION A-A

NOTES:

1. CLASS "SI" CONCRETE SHALL BE USED THROUGHOUT OR PRECAST APRON.
2. TYPE 8, SPECIAL #1 TO BE USED IN ALL UNPAVED AND NON-RESIDENTIAL AREAS AND AS DIRECTED BY THE CITY ENGINEER.
3. TYPE 8, SPECIAL #2 TO BE USED IN ALL UNPAVED AND RESIDENTIAL AREAS AND AS DIRECTED BY THE CITY ENGINEER.

|  |                        |          |
|--|------------------------|----------|
| CITY OF DECATUR, ILLINOIS<br>DEPARTMENT OF ENGINEERING<br>& INFRASTRUCTURE       | ISSUED: 7-3-78         |          |
|  | REVISIONS<br>BY   DATE |          |
| ADOPTED JANUARY 1, 2003<br><br>_____<br>DIRECTOR OF ENGINEERING & INFRASTRUCTURE | F.W.T.                 | 12/15/81 |
|  | SHOE                   | 9/15/89  |
|  | JMM                    | 5/1/02   |
|  |                        |          |
|  |                        |          |

STANDARD# 3046

K:\CIVIL\Engineer\eng--deta\AUTOCAD\STANDARD\STANDARD\Standards 2003\Std3046.dwg Wed, 30 Apr 2003 - 10:46am