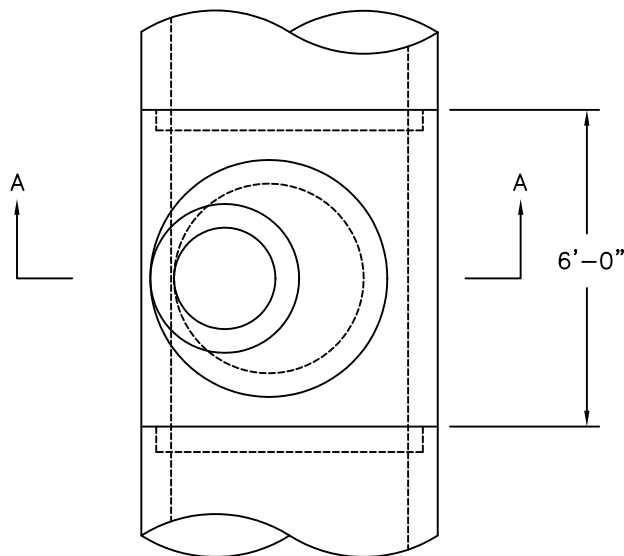
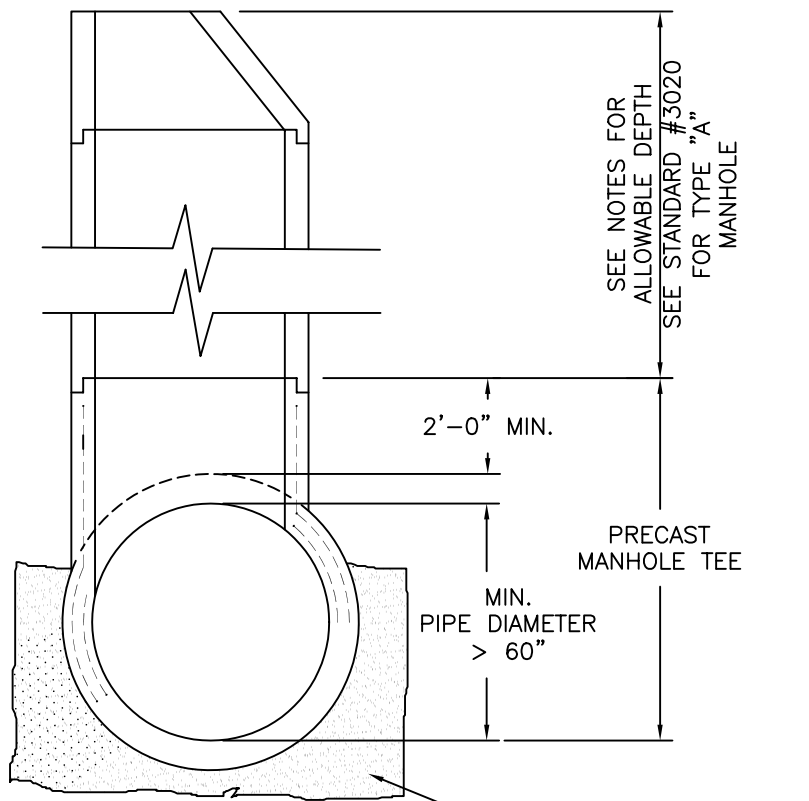


STANDARD DESIGN PRE-CAST TEE MANHOLE, FOR SEWERS LARGER THAN 60" DIAMETER



PLAN



SECTION A-A

NOTES:

1. ALLOWABLE DEPTH OF MANHOLE IS IN ACCORDANCE WITH MANUFACTURES SPECIFICATIONS AND APPROVAL BY THE CITY ENGINEER.
2. BACKFILL FOUNDATION SHALL BE IN ACCORDANCE WITH MANUFACTURERS SPECIFICATIONS AND APPROVAL BY THE CITY ENGINEER.

STANDARD #3021
SHEET #2 OF 2

CITY OF DECATUR, ILLINOIS
DEPARTMENT OF ENGINEERING
& INFRASTRUCTURE

ADOPTED JANUARY 1, 2003

DIRECTOR OF ENGINEERING & INFRASTRUCTURE

ISSUED: 7-3-78	
REVISIONS	
BY	DATE
K.G.Q.	4/7/00
J.M.M.	5/1/02

K:\CVCEngineer\eng-data\AUTOCAD\STANDARD\Standards 2003\Std3021 Sheet 2 of 2.dwg \Wed, 30 Apr 2003 - 10:45am